



**Figure 1**

1. Holding: (Figure 1) Support the bottom of the machine with the four fingers of your right hand and your thumb on top of the machine.
2. Thread: (Figure 1) Draw the lisle softly from the bobbin and thread it from winding A through tensioner controller B. Thread it through the winding C. Thread the lisle through the needle using the threader for about an inch.



Figure 2

3. (Figure 2) Lift the cloth fastening plate with right forefinger and put the cloth under the fastening plate. Set the fastening plate down.
- 4) While squeezing the machine repeatedly hold the cloth with one hand while advancing the machine with the other hand.
- 5) You can adjust the bolt (Figure 1(b)) to control the stitch appearance.

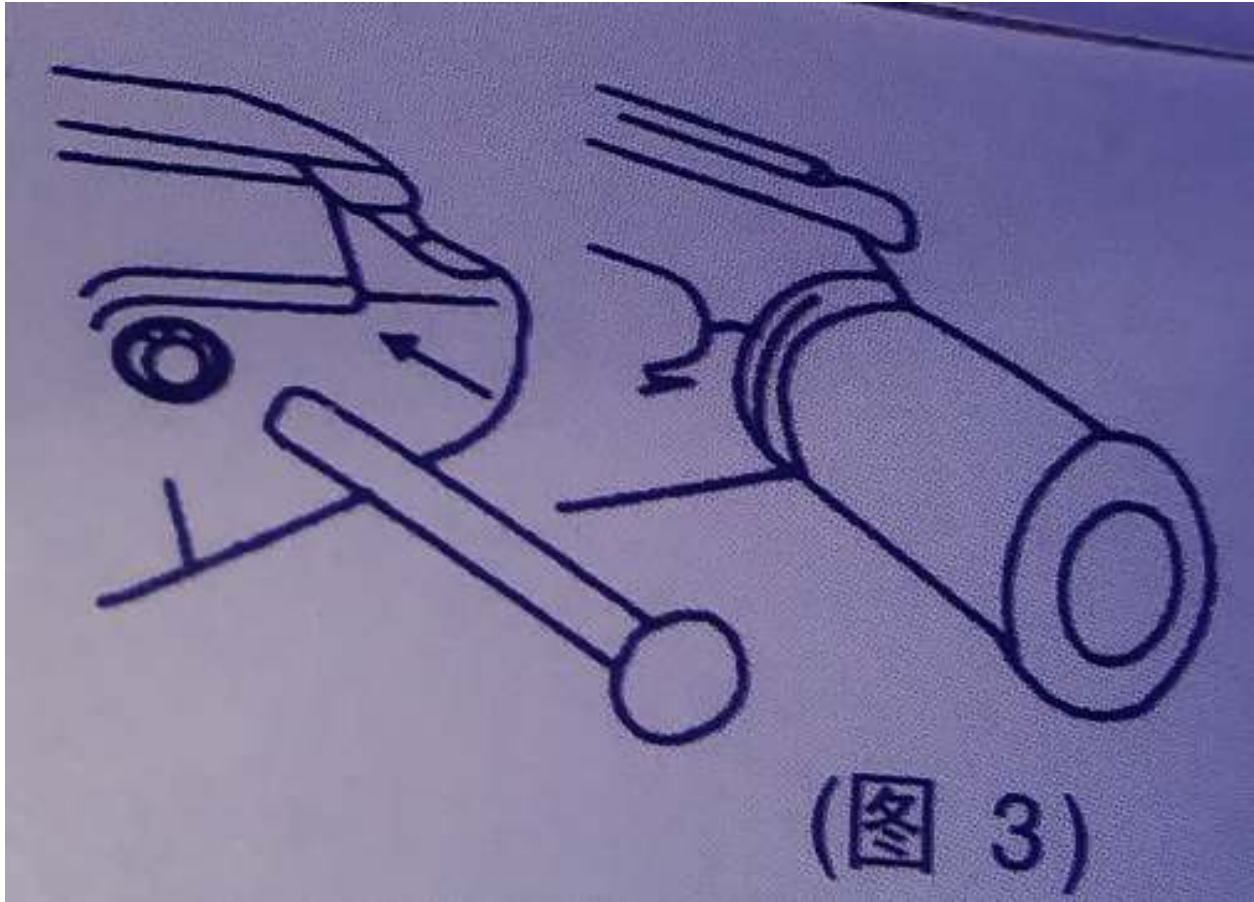


Figure 3

6) (Figure 3) To change the large bobbin pull out the pin and remove the bobbin, replacing the pin when the bobbin is back in place.

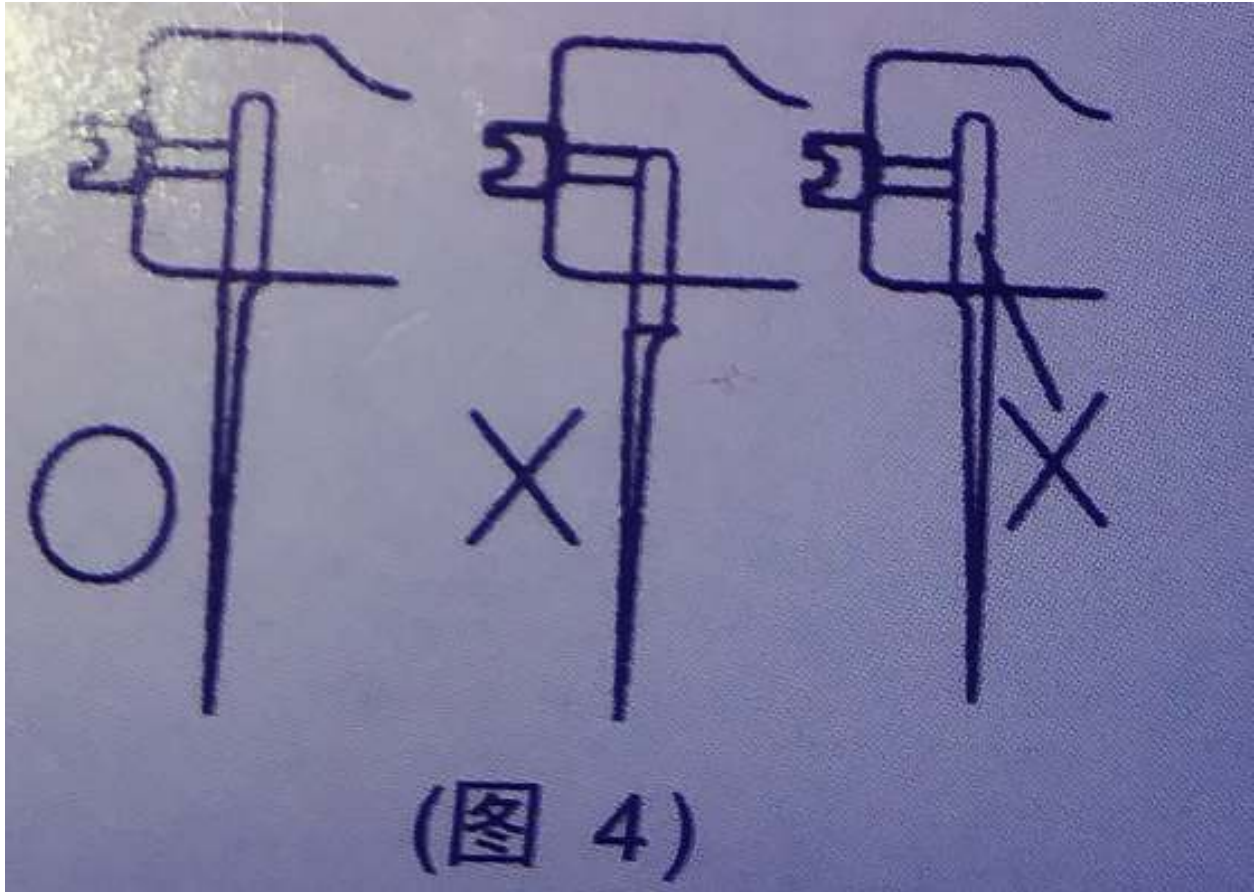


Figure 4

7 (Figure 4) To replace the machine needle remove the set screw with a small screw driver and remove the needle. Take care to insert the new needle with the flat facing the set screw.